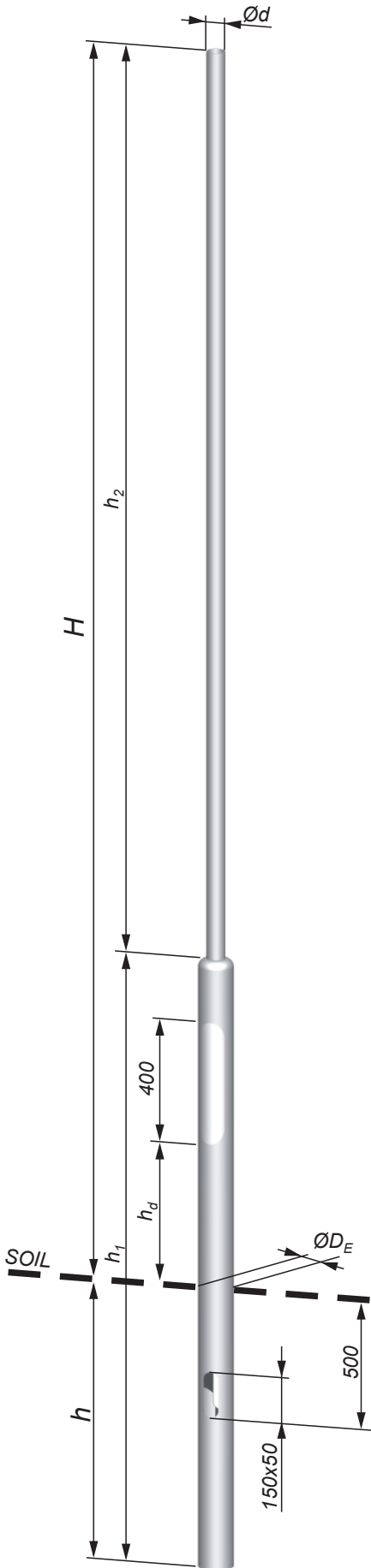


# Steel lighting pole

welded tubular, in ground installation

**PARK**  
WELDED TUBULAR, PLANTED IN SOIL



TYPE	H	$h_d$	$\text{Ø}d/D_E$	$h_1$	$h_2$	m	h
	m	mm	mm	m	m	kg	m
<b>RMV-S-30SRsG</b>	3,0	300		1,7	2,1	26,2	0,8
<b>RMV-S-40SRsG</b>	4,0	400	48;60/114	2,0	3,0	33,2	1,0
<b>RMV-S-50SRsG</b>	5,0			2,0	4,0	37,7	



Our compliance with the European Community directives and harmonised standards has been certified and proven by the right to use the CE mark.